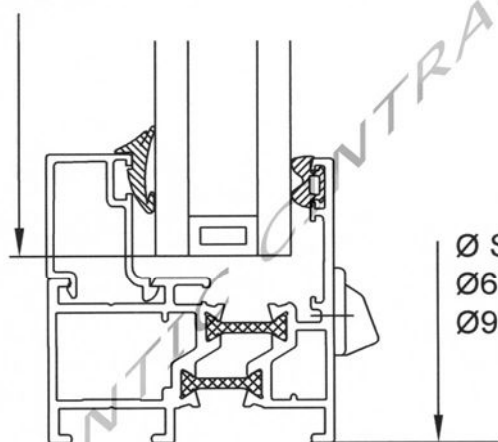


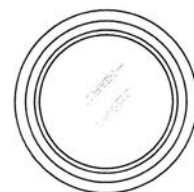
POSE TUNNEL

C
H
A
S
S
I
S

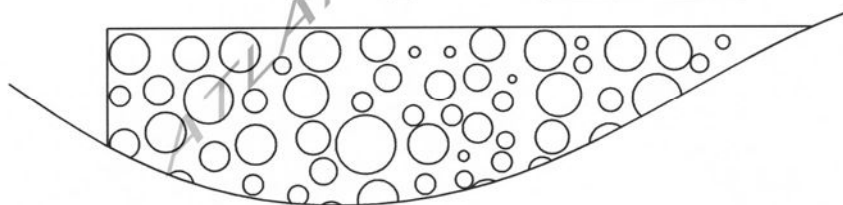
Ø vitrage= Ø chassis - 66mm.



Ø Standards=
Ø600, Ø700, Ø800,
Ø900, Ø1000mm.



F
I
X
E

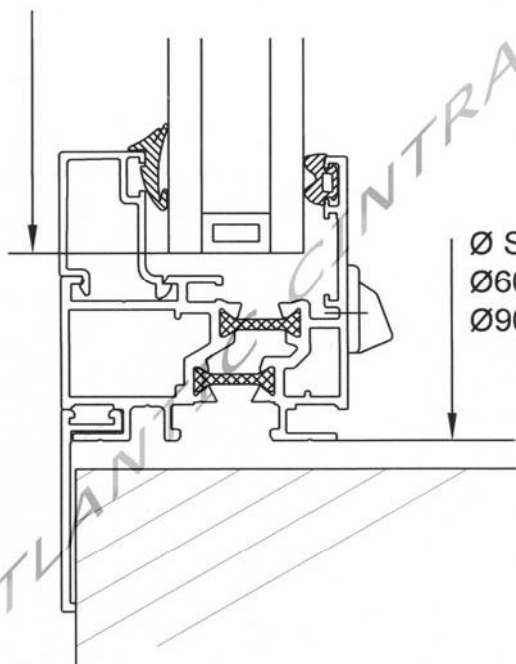


POSE TUNNEL

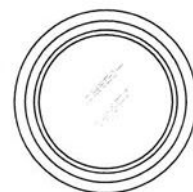
couvre-joint intérieur

C
H
A
S
S
I
S

Ø vitrage = Ø chassis - 66mm.



Ø Standards =
Ø600, Ø700, Ø800,
Ø900, Ø1000mm.



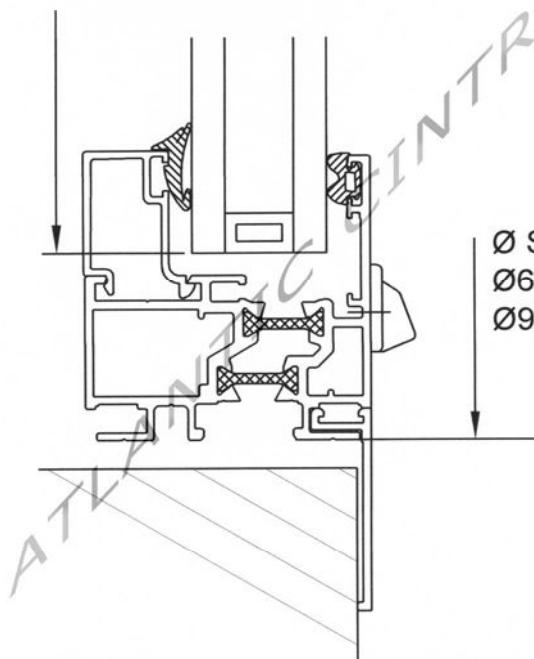
F
I
X
E

POSE AU NU EXTERIEUR

couvre-joint extérieur

C
H
A
S
S
I
S

Ø vitrage = Ø chassis - 66mm.



Ø Standards =
Ø600, Ø700, Ø800,
Ø900, Ø1000mm.



F
I
X
E